

Microporous Air Turning Bar

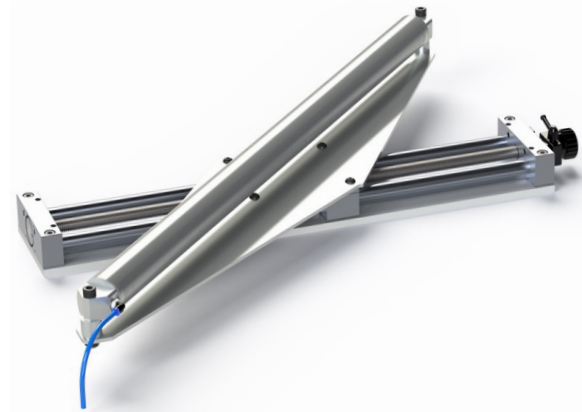
Web turner bar system with microporous surface technology – Kontaktlose Bahnführungslösung und Vakuumtechnologie für das schonende Wenden und Umlenken von stark haftenden und besonders empfindlichen Bahnen.

Features

- Gentle web turning and reversing system.
- Non-contact web handling for adhesive materials
- Simultaneous web drying with preheated air
- Suction technology to hold sensitive webs in place

Advantages

- Microporous surface technology
- No wear (unlike standard web turning rollers)
- No chemical anti-adhesives needed
- Drastically reduced pressurized air consumption (compared to drilled web turner bars)
- Significantly reduced waste
- Available in various dimensions

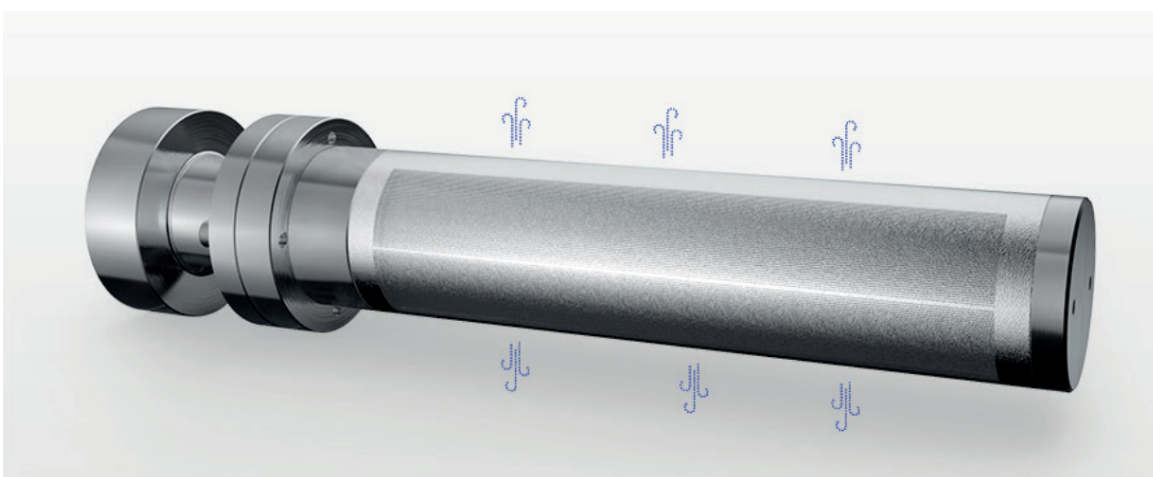


Application

- Adhesive tapes and sticky films
- Sensitive or fragile materials such as membranes
- Scratch-sensitive or delicately processed webs
- Freshly coated or printed webs of high quality

Customization & Assembly

- Highly customizable, various length and diameters
- Various end heads and micropore segments
- 360 degree or partially segmented design
- Rotative design possible
- Easy integration with your existing machine



Any questions left? Get in touch with your personal contact at Printum now:

Andreas Weigel, Managing Director and Sales

+49 172 7406 133

sales@printum.de

